

ZONE 1, 21

ZONE 2, 22



IECEX

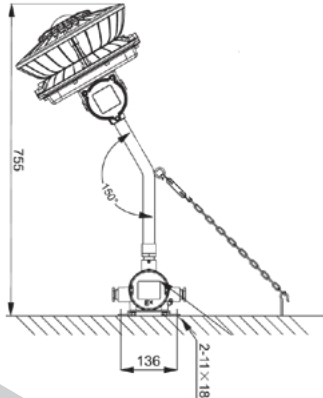
ATEX

LM79
LM84

IP 66

Ta 40/55

Ta -50



Wattage (w)	100 - 240
Lumens (lm)	11,200 - 27,400
Luminaire Efficacy	110 - 115
Beam Angle (°)	40 - 100
Mount height (m)	8 - 20
Colour Temp (k)	3000 - 5000
CRI	70 (80 optional)
IP Rating	66
Ambient Temp (°C)	-50 to +55
UK Warranty (yrs)	3 std. / 5 ext.



100w

120w

150w

200w

240w

IP66

5000K
COOL
WHITE

3 OR 5
YEAR
WARRANTY

LED CHIPS

LED DRIVER



The Stornoway is a robust, ATEX rated, hazardous area LED high bay. Its superior resistance to harsh environments makes it ideal for the chemical, offshore drilling, steel, and petroleum industries.

- Gas explosive environment: Group IIA, IIB, IIC
- Zone 1, Zone 2; Zone 21, Zone 22
- Highly customisable with a variety of light distribution and mounting options.
- High conductivity material accelerate convection cooling, allowing for long-term use in high temperatures.
- Separate wiring chamber; for safe and simple installation and maintenance.
- Standard CCT: 5000K (3000K/4000K options available).

DIVISIONS

Ex db e IIC T3/T4 Gb

Ex tb IIIC T195°C / T130°C Db

STANDARDS

EN 55015	Limits and methods of measurement of radio disturbance characteristics of electrical lighting and similar equipment
EN 60079-0	Explosive atmospheres – Part 0: Equipment – General requirements
EN 60079-1	Explosive atmospheres – Part 1: Equipment protection by flameproof enclosures 'd'
EN 60598-1	Luminaires – General requirements
EN 60598-2-1	Luminaires – Fixed General Purpose
EN 61000-3-2	Electromagnetic compatibility (EMC) – Part 3-2: Limits – for harmonic current emissions
EN 61000-3-3	Electromagnetic compatibility (EMC) – Limitation of voltage changes, voltage fluctuations and flicker in public low-voltage supply systems
EN 61547:2009	Equipment for general lighting purposes.
2002/96/EC	Waste Electrical & Electronic Equipment (WEEE)
2011/65/EU	Restriction of the use of certain Hazardous Substances in EEE (RoHS)