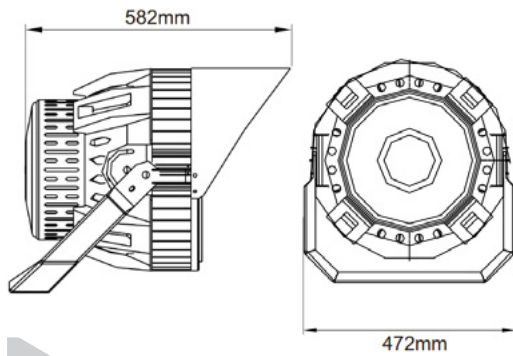


**OSRAM** 

The Calder a floodlight suitable for indoor and outdoor applications. It's relatively lightweight design makes it ideal for installation on high mast columns and sleek appearance makes it a favourite at sports facilities.

- Radiator ventilation system and high quality die-cast aluminium heat sink allow for improved heat management - ensuring maximum heat transfer and long lasting efficiency.
- Satisfies variety of lighting requirements; 240° adjustable angle of luminaire direction, and between 15° to 120° beam angle.
- >70 Standard Colour Rendering Index: >80 and >90 options available.
- Smart lighting ready: Integrated communications technology.
- Standard CCT: 5,000K (3000K, 4000K, 5700K, 6500K options available).



Wattage (w)	300 to 1250
Lumens (lm)	39,000 to 162,500
Luminaire Efficacy	130
Beam Angle (°)	15 to 120
CRI	>70
Net Weight (kg)	14 to 27
Ambient Temp. (°C)	-40 to +55
IP Rating	66
UK Warranty (years)	3 std. / 5 ext.
Dimmable Option	✓

**STANDARDS**

EN 60598-1	Luminaires - General requirements
EN 60598-2-5	Luminaires - Floodlights
EN 61347-1	Lamp controlgear - Part 1: General and safety requirements
2002/96/EC	Waste Electrical & Electronic Equipment (WEEE)
2011/65/EU	Restriction of the use of certain Hazardous Substances in EEE (RoHS)
(EC) No 1907/2006	The Registration, Evaluation, Authorisation and Restriction of Chemicals (REACH)

